

# WABCO

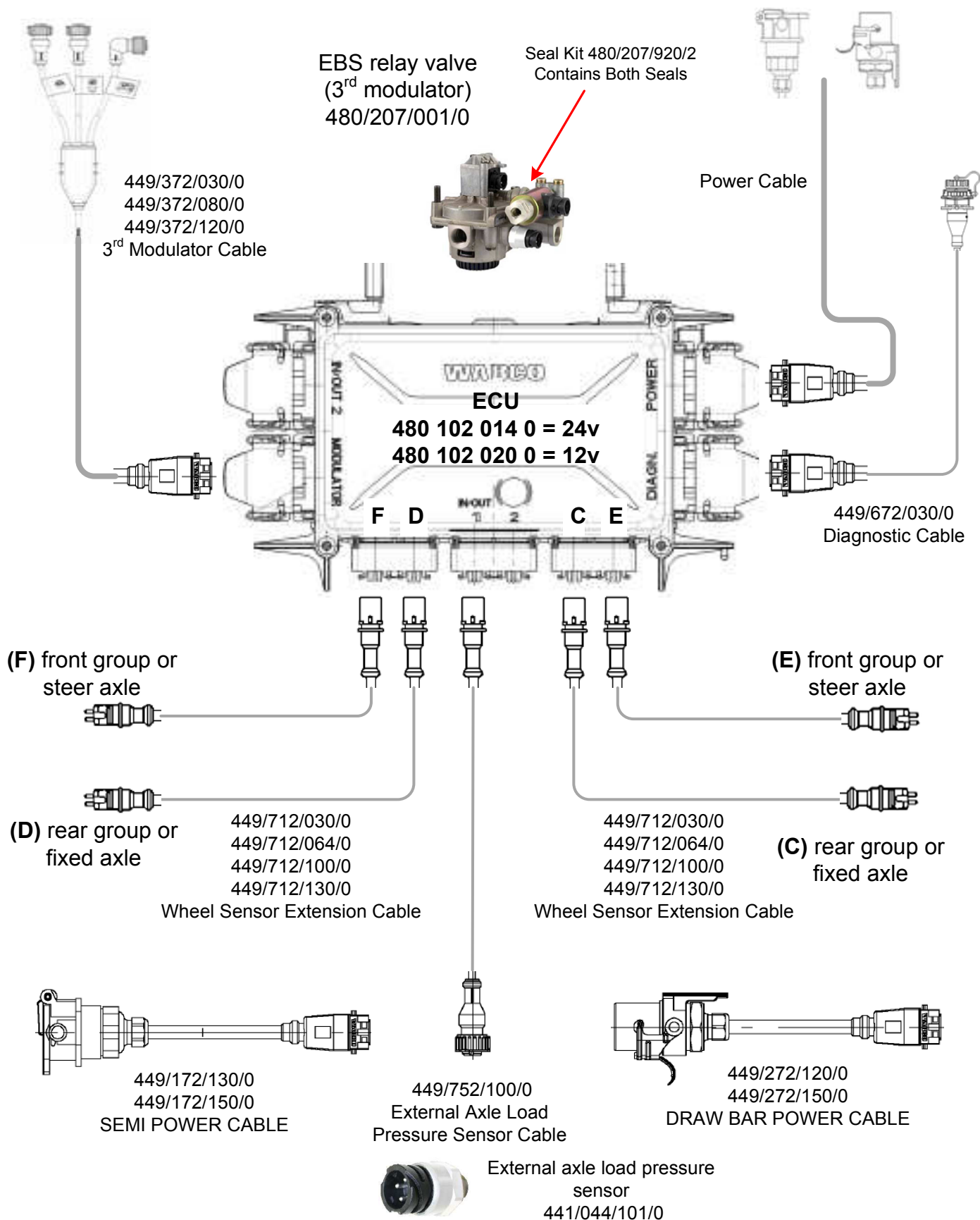
## T EBS "D" Components

**GOUGH**

*Transpecs*

**GOUGH**

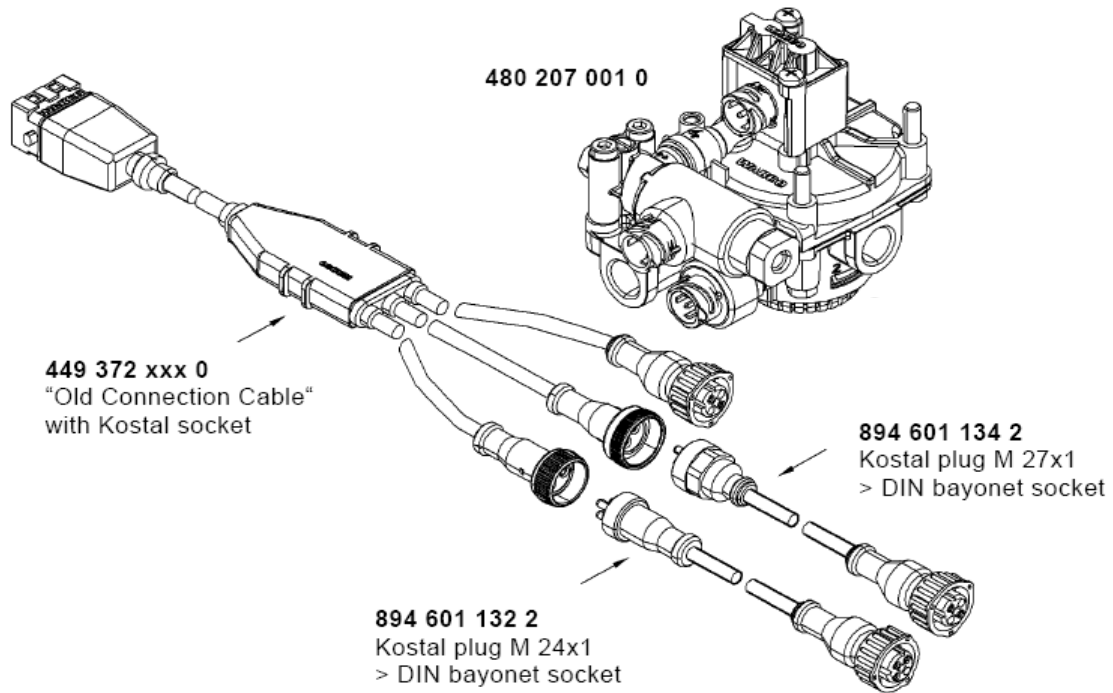
**TWL**  
TRANSPORT WHOLESALE



**Digits 7,8 & 9 in cable part numbers designate the cable length i.e. 449/172/130/0 = 13m, 449/172/150/0 = 15m**  
 Part numbers are marked on cables about 300mm from end

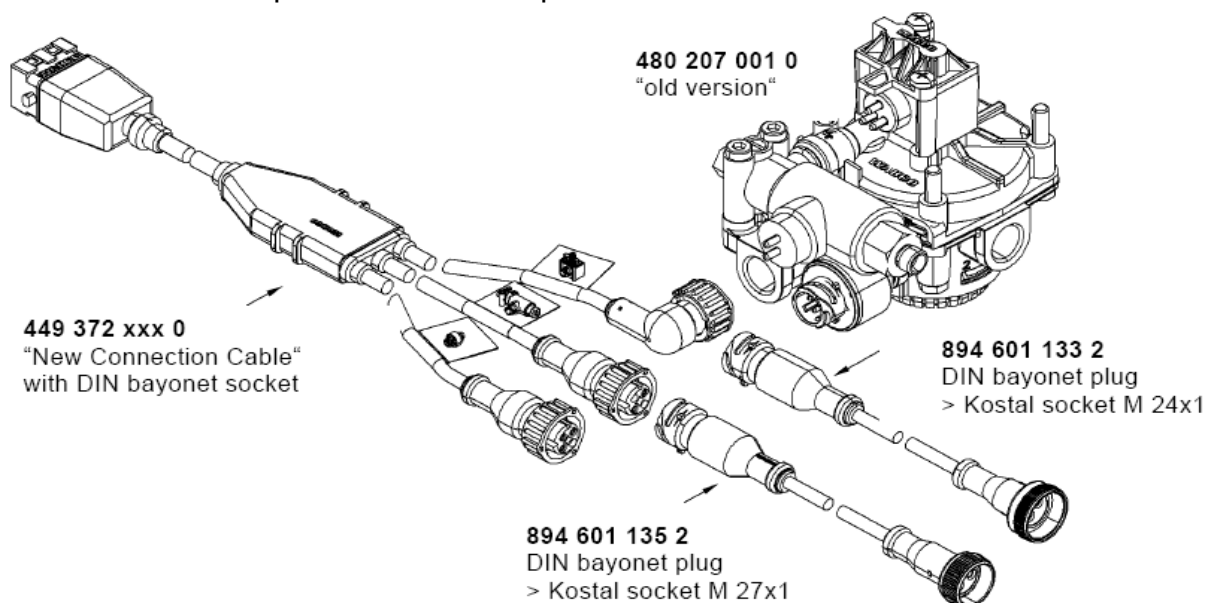
### “OLD Connection Cable” and “NEW EBS Relay Valve”:

- Two different Adaptor Cables are required



### “NEW Connection Cable” and “OLD EBS Relay Valve”:

- Two different Adaptor Cables are required



# WABCO

## T EBS "D" Components

GOUGH

Transpecs

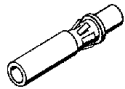
GOUGH

TWL  
TRANSPORT WHOLESALE



### Drawbar Trailer Plug

24v 446 008 414 2  
Multi Volt 441 008 414 M



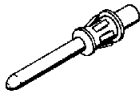
### Pins for Plug

2 x 6.0mm 446 008 316 4  
5 x 1.5mm 446 008 315 4



### Semi Trailer Socket

24v 446 008 404 2  
Multi Volt 446 008 404 M



### Pins for Socket

2 x 6.0mm 446 008 311 4  
5 x 1.5mm 446 008 310 4



### Tool for removing pins

884 026 261 4

### Replacement sleeve

884 026 262 4



### Suzi Cable

EBS 7 Pin 24v 446 008 243 0  
Multi Volt 446 008 243 M

ABS 5 Pin 12v 446 008 238 2



### Wheel Sensors

Straight sensor with 2m cable  
Kit with bush and grease  
441 032 968 2



90 Deg sensor with 2m cable  
Kit with bush and grease  
441 032 967 2

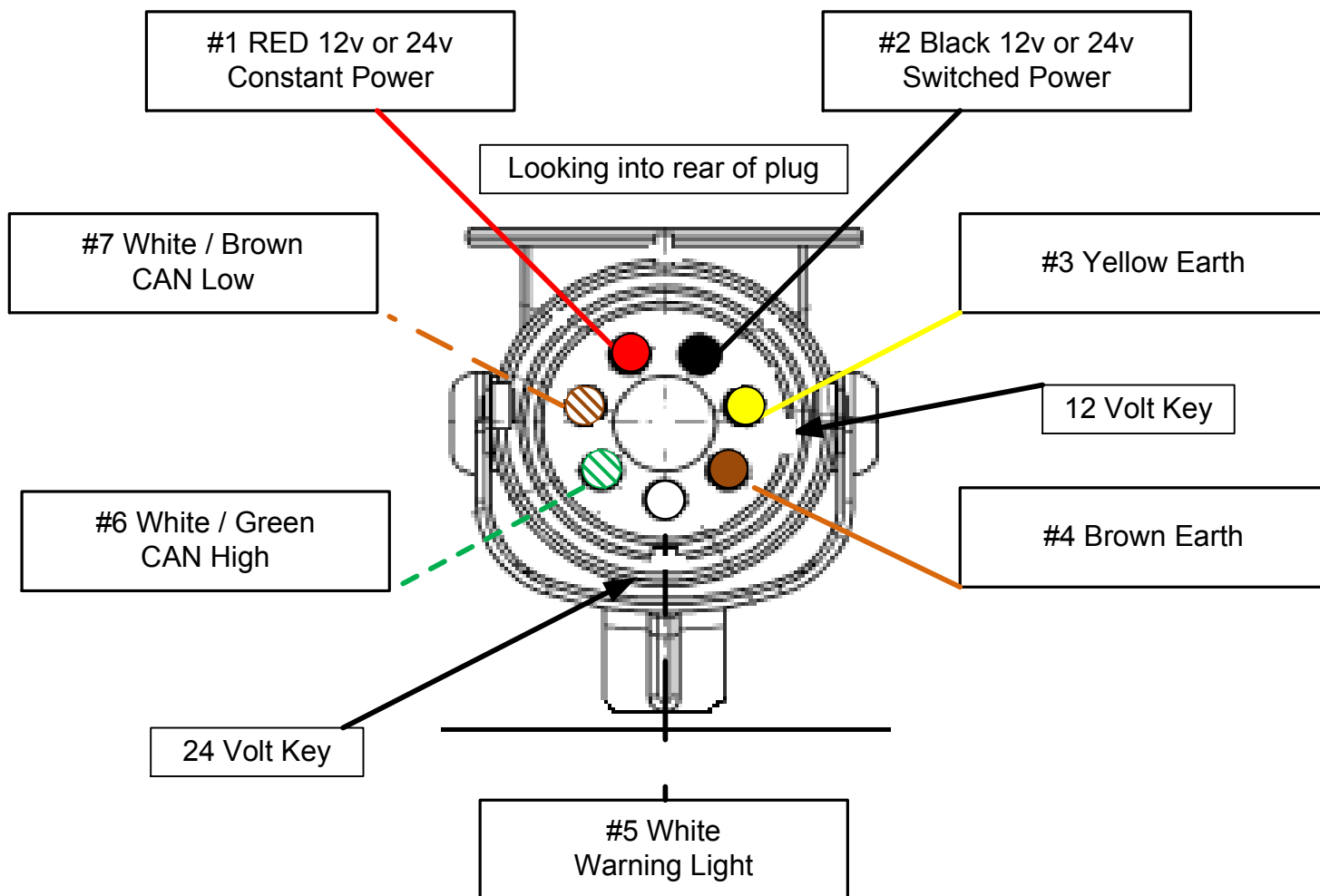


SAF Z19 MINI Straight sensor with 400mm cable  
Kit with bush and grease  
3 029 0242 HD

# WABCO

## T EBS "D"

### Components



<u>Male plug for drawbar trailer</u>	24 Volt	446/008/414/2
	Multi Volt	446/008/414/M
Pins for male plug 446/008/315/4 - Small cable, 5 per plug 446/008/316/4 - Large cable, 2 per plug		
<u>Female socket for truck or semi</u>	24 Volt	446/008/404/2
	Multi Volt	446/008/404/M
Pins for female socket 446/008/310/4 - small cable, 5 per socket 446/008/311/4 - large cable, 2 per socket		

# WABCO

## T EBS "D" Components



For tractor units and drawbar trucks not fitted with an ABS power cable to ISO 7638, the following shows what is required and how it is installed.

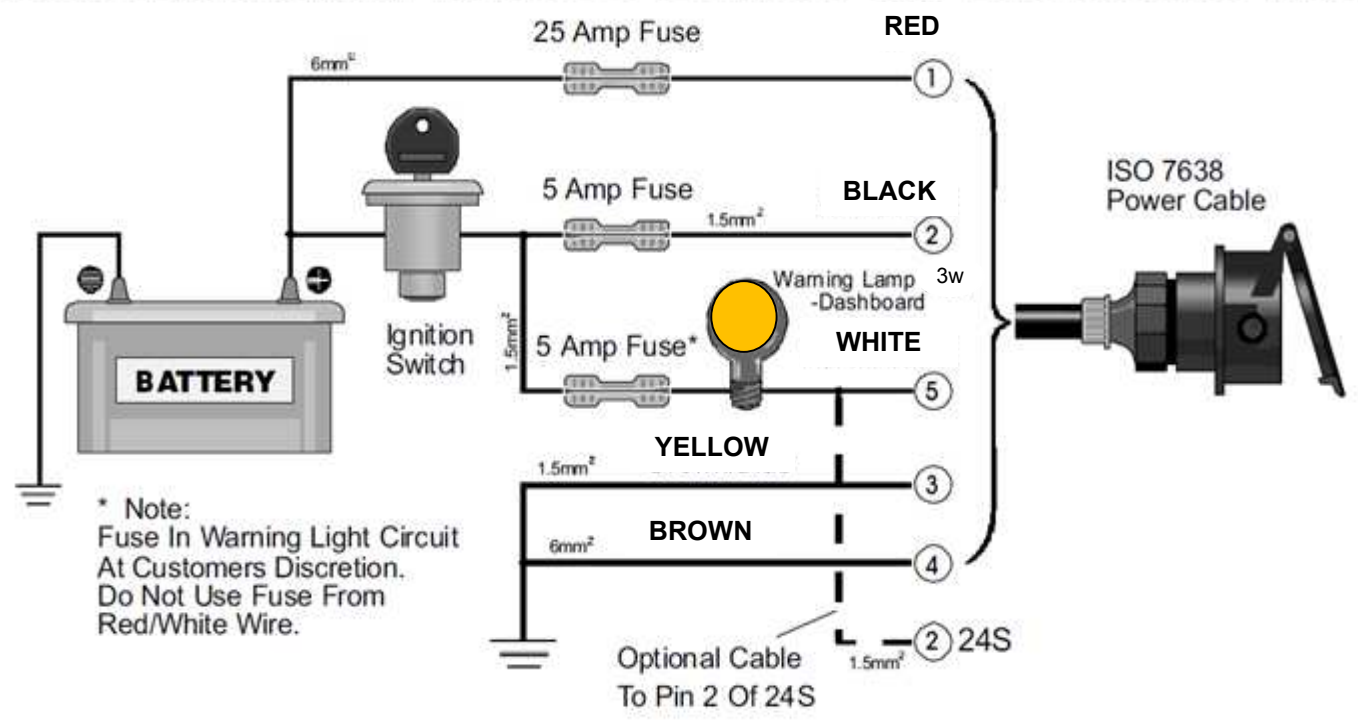
- ISO 7638 POWER CABLE (12 metre - 24volt)
- PARKING SOCKET (tractors only)
- DASHBOARD WARNING LAMP (red/amber - 3w typical)
- FUSES

**Part # ABSTU**  
Cable & fuse holder

**CUSTOMER SUPPLY**  
**CUSTOMER SUPPLY**

ISO 7638 CABLE	<ul style="list-style-type: none"> <li>RED</li> <li>BLACK</li> <li>YELLOW</li> <li>BROWN</li> <li>WHITE</li> <li>GREEN / WHITE</li> <li>BROWN WHITE</li> </ul>	BATTERY POSITIVE THROUGH 25 AMP FUSE
		IGNITION SWITCHED THROUGH 5 AMP FUSE
		COMMON RETURN TO BATTERY NEGATIVE
		COMMON RETURN TO BATTERY NEGATIVE
		DASHBOARD ABS WARNING LAMP
		CAN HIGH
		CAN LOW

For vehicles with a supplementary power cable, the dashboard warning lamp can also be controlled via pin 2 of 24S, thereby removing the need to observe the headboard warning lamp when the ISO 7638 power cable is absent from the trailer



\* Note:  
Fuse In Warning Light Circuit  
At Customers Discretion.  
Do Not Use Fuse From  
Red/White Wire.

### ISO 7638 Power Supply