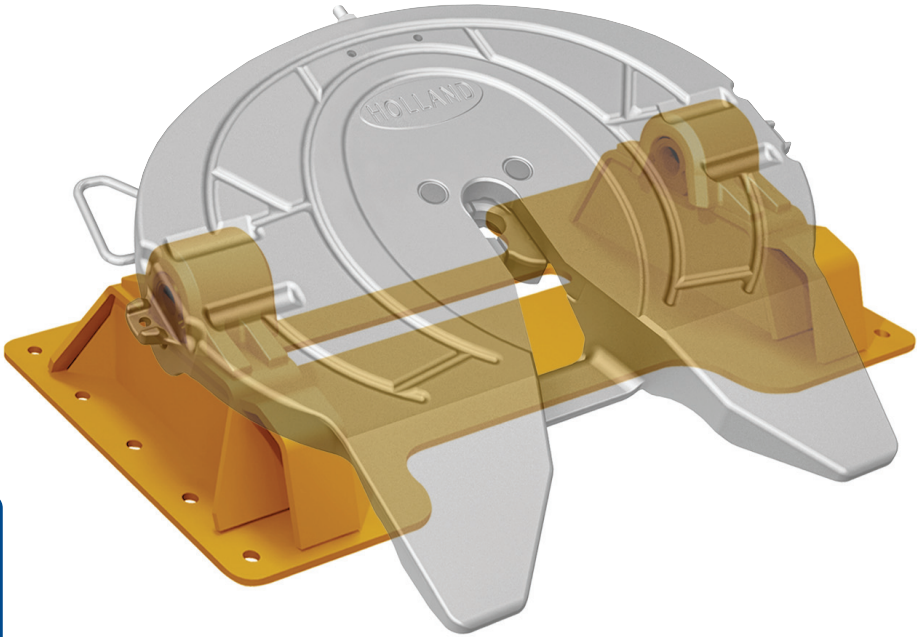




**NEW
INTEGRATED
FIFTH WHEELS**

Time-saving through direct mounting onto the chassis.



Advantages

- Quick and simple bolt on installation
- Weight saving
- Available with a range of height options
- Suitable with Holland lube and no lube top plates

Holland INTEGRATED Fifth Wheel Range

| Assembly: | Part No: | Description: | Total Height (mm) | Weight (kgs): |
|-----------------|-------------|--------------------------------------|-------------------|---------------|
| NO-lube | FW31/145IF | 5th Wheel 2.0" 145mm Integrated Foot | 145 | 153 |
| | FW31/170IF | 5th Wheel 2.0" 170mm Integrated Foot | 170 | 156 |
| | FW31/195IF | 5th Wheel 2.0" 195mm Integrated Foot | 195 | 159 |
| | FW31/220IF | 5th Wheel 2.0" 220mm Integrated Foot | 220 | 159 |
| Lube | FW351/135IF | 5th Wheel 2.0" 135mm Integrated Foot | 135 | 144 |
| | FW351/160IF | 5th Wheel 2.0" 160mm Integrated Foot | 160 | 147 |
| | FW351/185IF | 5th Wheel 2.0" 185mm Integrated Foot | 185 | 150 |
| | FW351/210IF | 5th Wheel 2.0" 210mm Integrated Foot | 210 | 150 |
| Integrated foot | RK-Z600 | Integrated Plate Mount 135mm | | |
| | RK-Z700 | Integrated Plate Mount 160mm | | |
| | RK-Z800 | Integrated Plate Mount 185mm | | |
| | RK-Z900 | Integrated Plate Mount 210mm | | |

Available Now

Talk to your local Gough Transpecs or Gough TWL team member to find out more.

