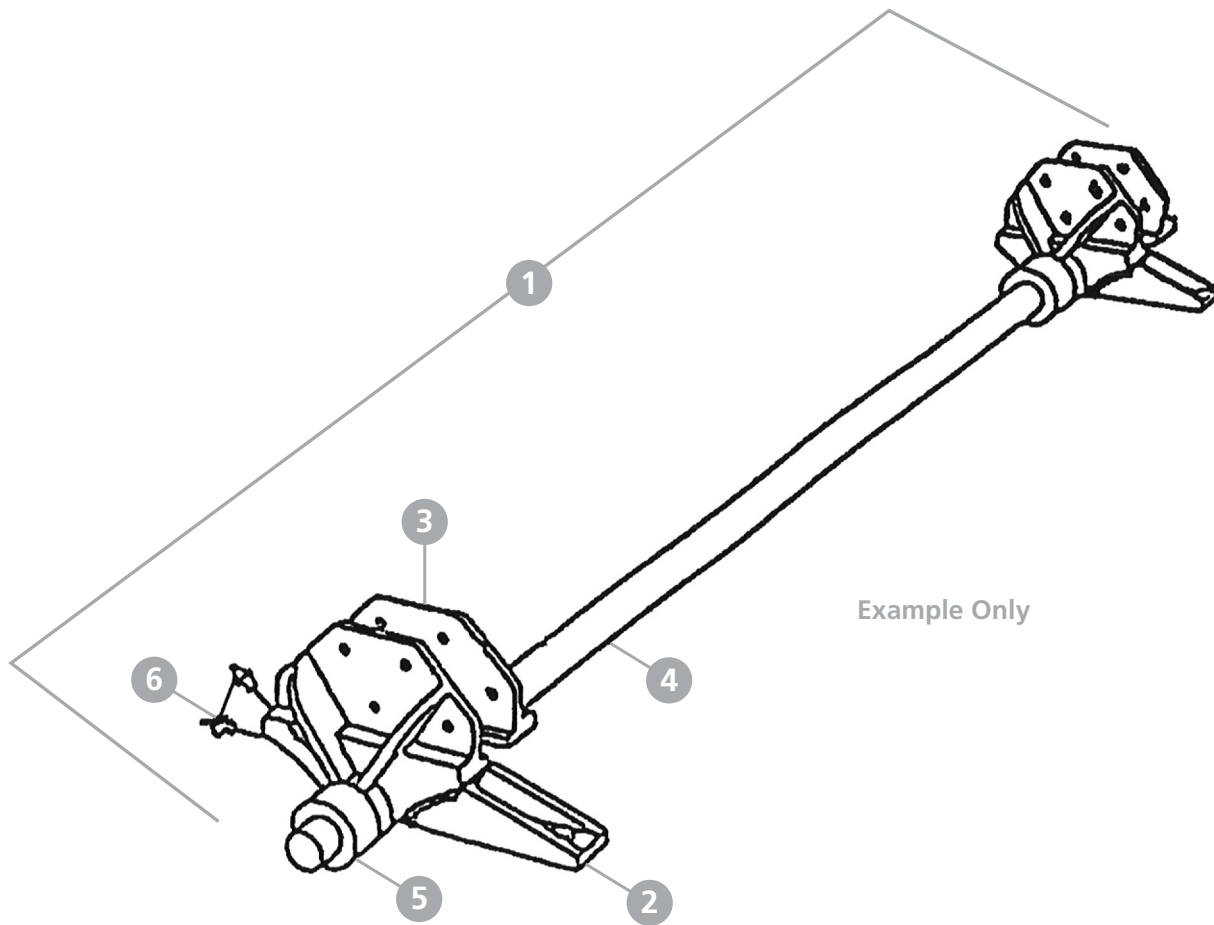


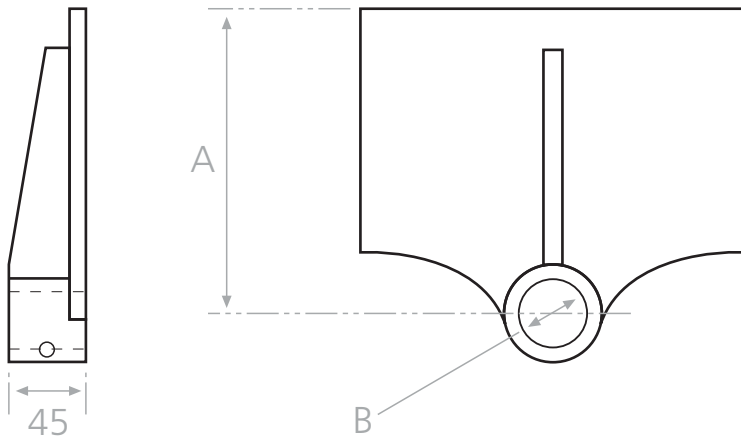
BODY HARDWARE



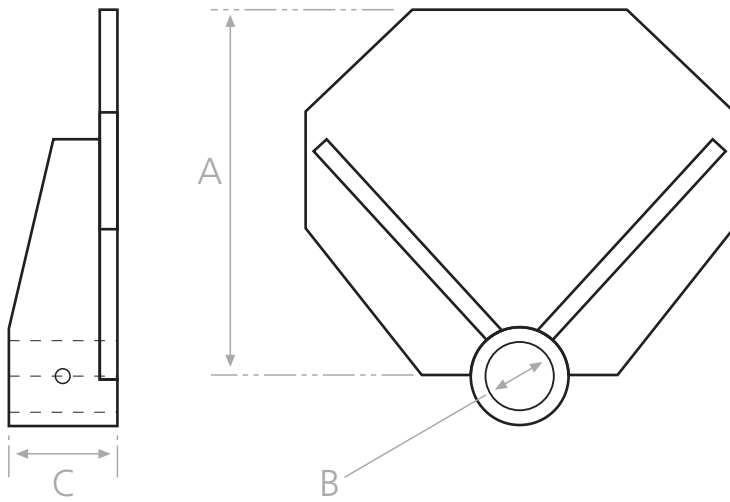


No.	Light Duty		Standard		Heavy Duty		Description:
	Part No.	Qty	Part No.	Qty	Part No.	Qty	
1	HK1	1	HK2	1	HK3	1	Hinge Kit
2	EB1/41	2	EB1/41	2	EB170/1	2	Top Chassis Bracket
3	EB98	2	EB98	4	EB172/1	4	Body Chassis Bracket
4	HB1	1	HB1	1	HB2	1	Hinge Bar
5	HB/C1	2	HB/C1	4	HB/C1	4	Hinge Bar Collar
6	GN1	4	GN1	6	GN1	6	Grease Nipple

- 1) Note EB1/41 can be changed to inside chassis bracket by requesting PF110 brackets (option only available in 35mm).
- 2) Hinge bar is a set length: HB1 1067 x 35mm, HB2 1143 x 45mm.
- 3) All brackets supplied un-drilled.
- 4) HB-BAR = commercial quality, mild steel.



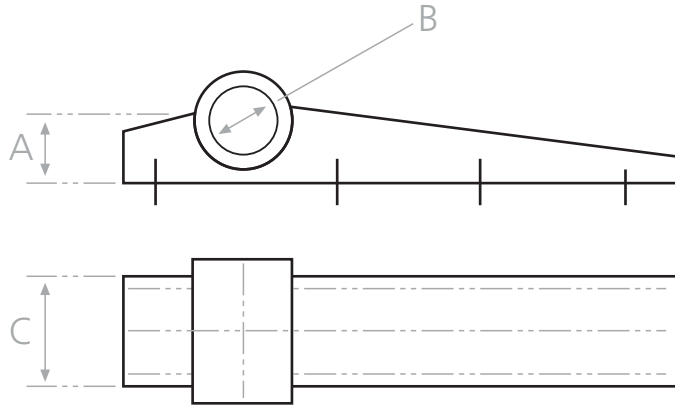
Bracket No.	A	B
<b>EB98L, EB98R</b>	<b>190</b>	<b>35</b>



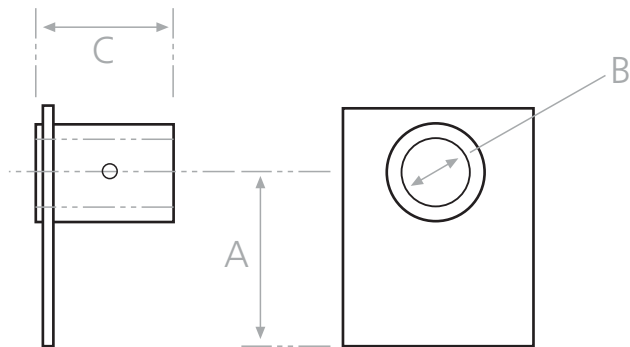
Bracket No.	A	B
<b>EB172/1L, EB172/1R</b>	<b>300</b>	<b>45</b>

Alternate Weld: 10mm fillet 500 long (min).

Drawings not to scale.

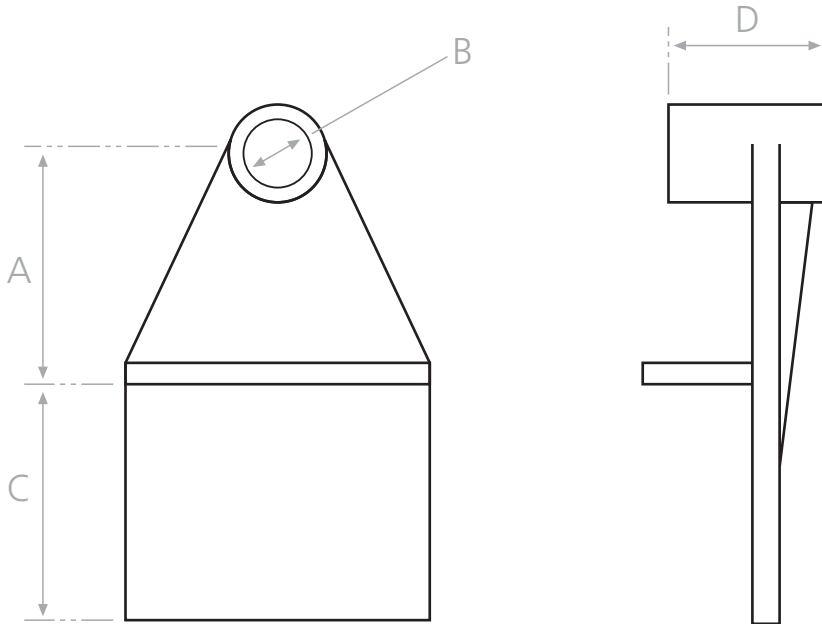


Bracket No.	A	B
<b>EB1/41</b>	40	35
<b>EB170/1</b>	50	45



Bracket No.	A	B
<b>PF110</b>	120	35

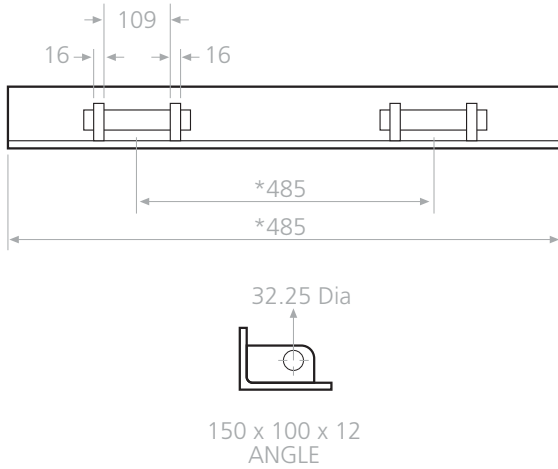
Drawings not to scale.



**Note:** Bracket comes with loose boss.

Bracket No.	A	B	C	D
FT4/9	220	45	125	
FT4/10	260	45	200	
LB16		45		121

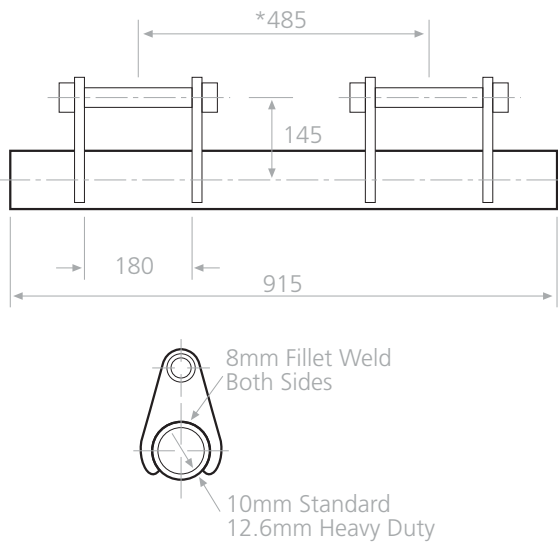
Drawings not to scale.



## TP4 Underbody Thrust Plate

Part No.

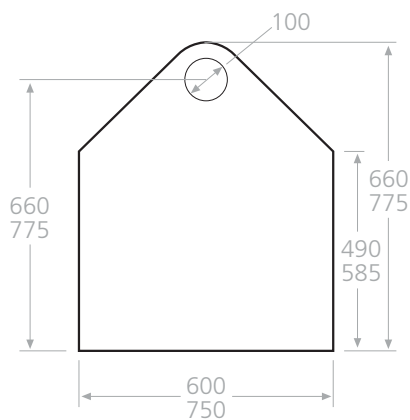
<b>*TP4</b>	STD Thrust Plate c/w Welded Trunnions
<b>TP4/36</b>	36" Thrust Plate c/w Loose Trunnions
<b>TP4/60</b>	60" Thrust Plate c/w Loose Trunnions
<b>TP4/TR</b>	Complete Set of Trunnions & Pins



## T4C / T5C Underbody Thrust Plate

Part No.

<b>T4C/36</b>	STD 36" Cradle Tube c/w Loose Trunnions
<b>T4C/60</b>	60" Cradle Tube c/w Loose Trunnions
<b>T5C/36</b>	H.D. 36" Cradle Tube c/w Loose Trunnions
<b>T5C/60</b>	H.D. 60" Cradle Tube c/w Loose Trunnions
<b>T4C/CTR</b>	Set Cradle Trunnions & Pins



## Side Plates

Part No.

<b>SP4</b>	4mm Thick Side Plate for T4C
<b>SP5</b>	5mm Thick Side Plate for T5C
<b>SP4/S</b>	Strengthening Strap
<b>SP5/S</b>	Strengthening Strap
<b>T4C/CTR</b>	Set Cradle Trunnions & Pins

Drawings not to scale.